

T-9DT / T-10DT / T-12DT



Towmaster's drop-deck tilt trailers are the most popular tilt-bed trailers on the market. There are no ramps to hassle with; simply tilt the deck and drive on or off. This trailer is built on our cold-formed I-beam tongue and main frame for tough durability. The tilt deck trailer features a single lever twin-latch system, long approach plate, rubber-ride axles and adjustable hitch. A deck cushion cylinder eases the deck back into transport position and prevents it from slamming onto the frame when loading.



Cushion cylinder controls the deck when loading or unloading equipment.



Long approach ramp allows easy equipment loading and unloading.



Single deck latch lever with dual latch securement is easy to operate.

Quick Specs:

- 2" nom. oak wood deck
- 19" deck height (loaded)
- 82" load width
- 14', 16', or 18' deck
- EZ lube axles
- Forward self-adjusting electric brakes
- One-piece formed fender
- Low approach angle
- Grommet mounted LED lights

Photos may show optional equipment.

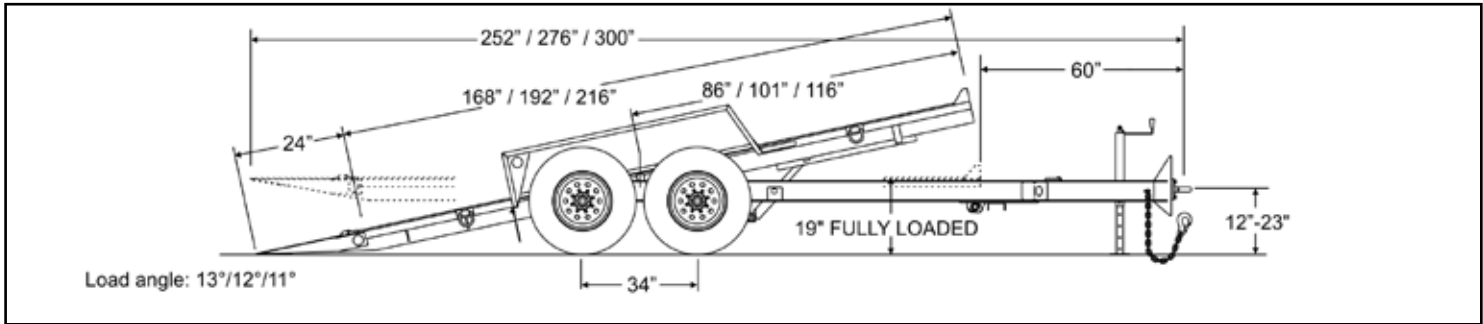
PROFESSIONAL HAULERS DEMAND TOWMASTER



800-462-4517
TOWMASTER.COM



MORE MODELS • MORE OPTIONS • MORE CHOICES
DROP-DECK • TILT BED • DECK-OVER • GOOSENECK • LOWBOY • HYDRAULIC TAIL



All dimensions are nominal. Illustration may be shown with optional equipment.

Standard Features

Hitch/Tongue

- Adjustable height, bolt-on coupler
- 2.5" pintle
- RV plug
- One-piece cold-formed frame rails
- Integrated storage tray
- 7K bolt-on top-wind parking jack (T-9DT & T-10DT)
- 12K side wind jack (T-12DT)
- Battery break-away kit with tow charger & test light
- Safety chains with hooks

Frame/Deck

- 82" load width, 19" deck height (fully loaded)
- Deck cushion cylinder
- Dual-point, single lever deck lock
- 6" I-beam main frame
- 3" channel crossmembers
- 2" nom. white oak deck
- D-ring tie-downs (4 per side)
- 12 ga one-piece formed fender/panel

Ramps/Tail

- 13°/12°/11° load angle

Axles/Suspension

- Rubber-ride suspension axles
- (2) 7,000 lb. axles (4 wheels)
- Tires - 235/85R16, load range F, 10-ply
- 16" wheels, 8-bolt
- Electric brakes
- Forward self-adjusting brakes
- EZ Lube hubs

Lights/Wiring

- Rubber grommet mounted LED lights
- Sealed modular wiring

Standard Features

- Limited Lifetime Frame Warranty
- One-Year full Warranty
- 10 Year Suspension Warranty
- Weatherproof registration holder
- Two-component polyurethane primer and paint
- Trailer color: Equipment Black

Trailer	GAWR (lbs)	GVWR (lbs)	Weight (lbs)	Capacity (lbs)	Deck Width (in)	Deck Length (ft)
T-9DT	14,000	9,990/9,990/9,990	3,520/3,820/4,120	6,470/6,120/5,870	82"	14'/16'/18'
T-10DT	14,000	13,600/13,800/14,000	3,520/3,820/4,120	10,000	82"	14'/16'/18'
T-12DT	14,000	15,700/15,900/16,100	3,520/3,820/4,120	12,000	82"	14'/16'/18'

Optional Equipment

- Hydraulic surge brakes
- 3" pintle ring or 2-5/16" ball coupler
- 4ft., 5ft., or 6ft. Stationary deck
- Gooseneck hitch
- 6-pole round electrical plug
- Storage tray lid
- Pallet fork holders
- 8K electric winch
- Rub rail & stake pockets
- Additional tie-downs
- Spare tire and wheel mount
- Spare tire and wheel
- "SL" ramp option for hauling scissor lifts
- Color options: Construction Yellow, Equipment Red, Blue, Charcoal
- Galvanizing

Other options may be available. Ask your dealer or visit our website.

Listed GVWR, weights and dimensions are for reference only. Manufacturer reserves the right to change models and specifications as they see fit. See our web site or your local authorized dealer for more information.