



T-20 / T-20LP
T-24 / T-24LP



The premium line of Towmaster® deck-over trailers has proven to offer durability, longevity and style that other brands try to emulate. Our build quality and design creates a trailer that is easy to own and easy to maintain. Built on our famous I-Beam main frame with a 20-foot deck and self-cleaning angle iron beavertail. Two-way spring-assist ramps are standard.



Wood protectors are standard on Towmaster T-series trailers. They protect the end of the deck boards as equipment is loaded.



Self-cleaning angle-iron beavertail provides positive traction when loading equipment.



Two-way spring-assist ramps allow easy lifting of ramps off the deck and the ground. Grommet mounted LED lights are standard.

Quick Specs:

- 102" deck width
- 20' deck length
- Electric or air brakes
- Tool tray lid standard
- Hutchens® suspension
- Self-cleaning angle-iron beavertail
- Two-way spring-assist ramps
- LED Lights and sealed wiring

Photos may show optional equipment.

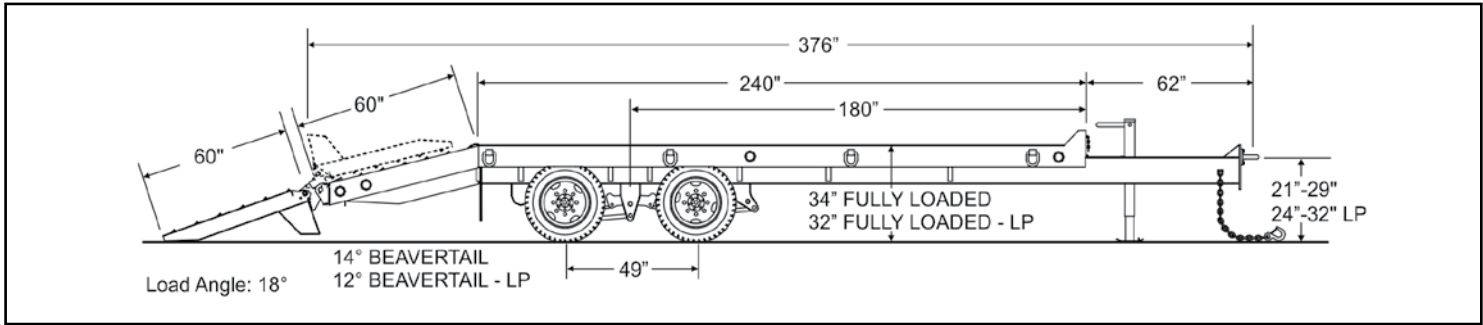
PROFESSIONAL HAULERS DEMAND TOWMASTER



800-462-4517
TOWMASTER.COM



MORE MODELS • MORE OPTIONS • MORE CHOICES
DROP-DECK • TILT BED • DECK-OVER • GOOSENECK • LOWBOY • HYDRAULIC TAIL



All dimensions are nominal. Illustration may be shown with optional equipment.

Standard Features

Hitch/Tongue

- Adjustable height hitch
- 3" pintle ring
- One-piece cold-formed frame rails
- Integrated storage tray with lockable lid
- 12K bolt-on side-wind drop-leg jack
- Battery break-away kit with tow charger & test light
- 7-pole round electric plug
- Safety chains with hooks

Frame/Deck

- 20 ft. deck length
- 102" load width
- 34" deck height (T-20/T-24) (fully loaded)
- 32" deck height (T-20LP/T-24LP) (fully loaded)
- 8" I-beam main frame (T-20LP/T-24LP)
- 10" I-beam main frame (T-20/T-24)
- 3" Jr. I-beam crossmembers, 80,000 psi
- 2" nominal white oak wood deck
- D-ring tie-downs (4 per side)

Ramps/Tail

- 5 ft. steel angle-iron beavertail
- Wood protectors
- 21" x 5'-0" channel sides, cleated ladder style
- Two-way spring-assist ramps

Axles/Suspension

- Hutchens 9700 adjustable suspension
- 10K axles (T-20/T-20LP)
- 12K axles (T-24/T-24LP)
- Tires - 235/85R16, load range F, 12-ply
- 16" wheels, 8-bolt
- Electric or Air brakes (Air has sensors on 1 axle, 2S/1M)
- Full ABS on air brakes
- Oil bath hubs

Lights/Wiring

- Rubber grommet mounted LED lights
- Sealed modular wiring

Standard Features

- Limited Lifetime Frame Warranty
- One-Year full Warranty
- Weatherproof registration holder
- Two-component polyurethane primer and paint
- Trailer color: Equipment Black
- Ramp color: Equipment Red

Trailer	GAWR (lbs)	GVWR (lbs)	Weight (lbs)	Capacity (lbs)	Deck Width (in)	Deck Length (ft)
T-20	20,000	25,900	6,900	19,000	102"	20'
T-20LP	20,000	25,900	6,900	19,000	102"	20'
T-24	24,000	30,900	6,900	24,000	102"	20'
T-24LP	24,000	30,900	6,900	24,000	102"	20'

Optional Equipment

- | | | |
|---|--|---|
| <ul style="list-style-type: none"> • Gooseneck • 25K two-speed parking jack • Dual parking jacks • Additional deck length • Additional tie downs | <ul style="list-style-type: none"> • Rub rail with stake pockets • 12K electric winch • Spare tire and wheel mount • Spare tire and wheel • Tire upgrade (load range G) | <ul style="list-style-type: none"> • Double-break beavertail • Several beavertail options • Color Options: Construction Yellow, Equipment Red, Blue, Charcoal • Galvanizing |
|---|--|---|

Other options may be available. Ask your dealer or visit our website.

Listed GVWR, weights and dimensions are for reference only. Manufacturer reserves the right to change models and specifications as they see fit. See our web site or your local authorized dealer for more information.